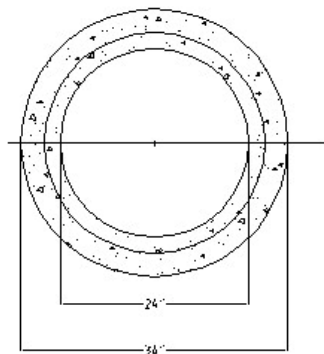
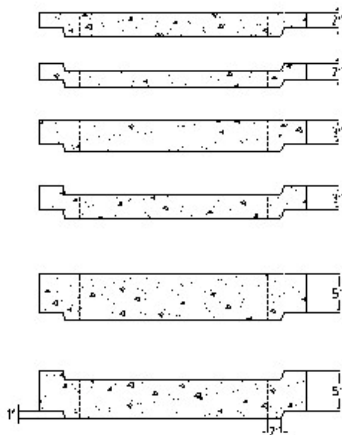


RISER RINGS




RISER RINGS CONFORMS TO PRECAST REINFORCED CONCRETE
SECTIONS A.S.T.M C478, 8 X 6 S.D.D X2.5

CONCRETE COMPRESSIVE STRENGTH 4000 P.S.I.

RISER RINGS WILL BE KEYPED INTO CONE AND FLAT TOP

RISER RINGS WITH NO KEY ON TOP TO BE USED NEXT TO
FRAME AND COVER

 HANNIBAL CONCRETE PRODUCTS 500 RED DEVIL ROAD HANNIBAL MO 63401		REVISIONS	
		BY	DATE
MADE BY MURL SMITH	673-221-4846	DESIGNED BY RISER RINGS	