

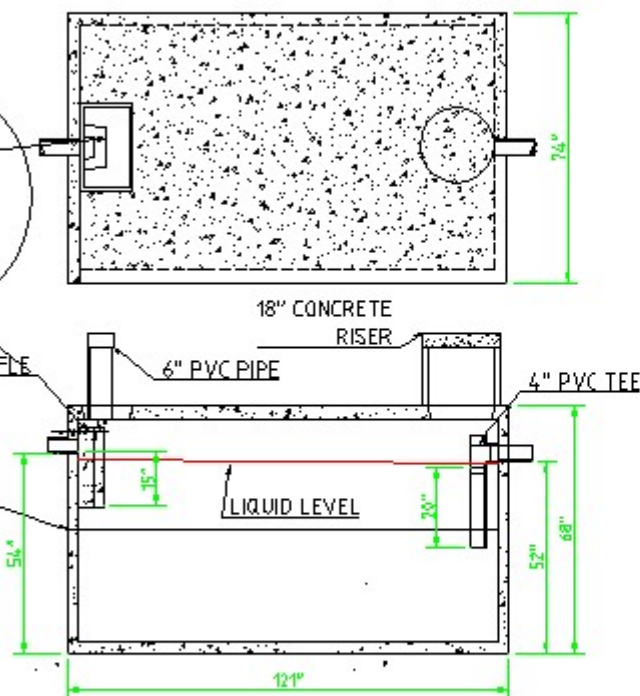
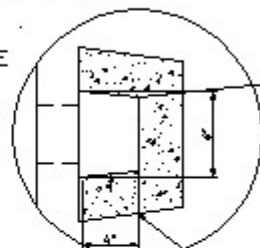
1500 SEPTIC TANK

DESIGNED TO MEET RESILIENT CONNECTORS REQUIREMENTS OF A.S.T.M. C-923-79

CONCRETE COMPRESSIVE STRENGTH 4000 P.S.I.

A LOK GASKET PER A.S.T.M. RUBBER GASKET SPECS. C413, CAST INTEGRALLY IN MANHOLE WALL AND LOCATED AS REQUIRED. JOINT ALLOWS 10° OMNIDIRECTIONAL DEFLECTION.

CAST-IN BAFFLE



SEPTIC TANK DESIGN SPECIFICATIONS CONFORMS TO: PRECAST REINFORCED FOR THE PRIVATE SEWAGE DISPOSAL LICENSING ACT AND CODE (2003) FOR ILLINOIS DEPARTMENT OF PUBLIC HEALTH & MISSOURI DEPARTMENT OF HEALTH

HCP	HANNIBAL CONCRETE PRODUCTS CO		REVISIONS	
	500 EHD DEVEL ROAD HANNIBAL MO 63401		BY	DATE
MURK SMITH	573-221-4845	1500 SEPTIC		